

10.1" PCAP Touchscreen & Android OS PoE Monitor

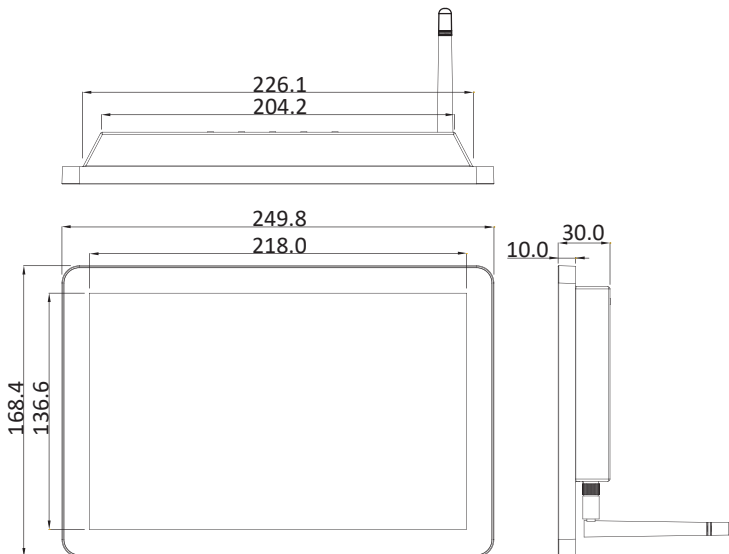


FEATURES

- 10.1-Inch Screen Size / 1280 x 800 Resolution
- Interface: Mini HDMI Out/ USB-C/ RJ45/ USB2.0/ USB3.0
- 10-Point Projected Capacitive PCAP Touch Technology
- Built-In ANDROID 10 Operating System
- Gigabit Ethernet (1000BASE-T) Port for Power & Data
- 24/7 Operation Design
- 3-Year Warranty

DIMENSIONS

UNIT:MM



PE10ZJ-OS-45POD

SPECIFICATIONS	
Size	10.1 In
Resolution	1280 x 800
Display Area (mm)	218.0(H) x 136.6(V)
Aspect Ratio	16 : 10
Response Time	25ms
Viewing Angle	170° / 170°
Brightness	350cd/m ²
Contrast Ratio	800 : 1
Color	16.7M
Backlight	LED
Interface	Mini HDMI Out x1, RJ45 (PoE) x1, USB2.0 x1 USB3.0 x1, USB Type-C x1, Earphone Out x1
Speaker	Option
Touch Type	Projected Capacitive (PCAP)
Touch Point	10-Point
Surface Hardness	7H
System OS	Android 10
Chipset	Rockchip RK3399, Dual-Core Cortex-A72 and and Quad-Core Cortex-A53
RAM / ROM	4GB / 32GB Flash
Network	WiFi
Cabinet Material	Metal
Cabinet Color	Black
Power Consumption	< 15W
Type Input	RJ45 PoE
Operating Temp.	32° F ~ 122° F (0° C ~ 50° C)
Storage Temp.	-4° F ~ 140° F (-20° C ~ 60° C)
Humidity	10% ~ 85%
Dimensions (In/mm)	9.83 x 6.62 x 1.18 / 249.8 x 168.4 x 30.0
Net Weight	7.7 lbs (3.5 kg)
Certification	CE / FCC
VESA™	75 x 75
Accessories	Power cable and power adaptor

**Specifications may change without any notice

30398 Esperanza,
Rancho Santa Margarita, CA 92688

888-651-9688 / 949-586-3338

sales@gvision-usa.com
https://www.gvision-usa.com

