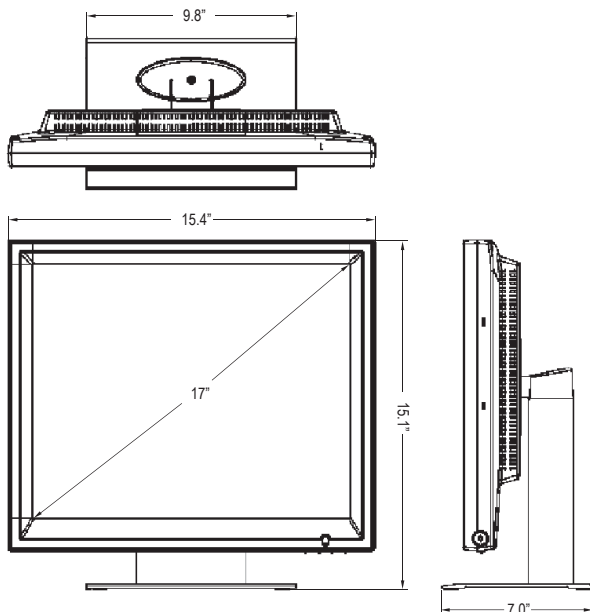


MA17BH-AB-459G

Gvision's MA17BH is a 17" industrial grade medical monitor designed specifically for use in the medical industry. It's the perfect touch screen solution for healthcare applications such as nursing stations, computer-aided therapy, electronic medical record keeping, paperless charting, patient self-check-in / registration or point-of-information.

DIMENSIONS



FEATURES

- 17" Screen Size, 1280 x 1024 Resolution
- 5-wire Resistive Touch Panel (Optional)
- Customizable Video Inputs
- Supporting Inputs: DVI-D, VGA
- 350 Nits High Brightness
- LED-Direct Backlight Unit
- Integrated Stereo Speakers
- Designed for 24/7/365 Operation
- 3-Years Warranty

SPECIFICATIONS

MODEL	MA17BH-AB-459G
Screen Size	17 In
Resolution	1280 x 1024
Backlight	LED
Aspect Ratio	5 : 4
Viewing Angle	170° / 160°
Response Time	8ms
Brightness	350cd/m ²
Contrast Ratio	700 : 1
Display Area	337.9 (H) x 270.3 (V)
INTERFACE	
DVI In	1
VGA In	1
USB-B Type	1 (w/ Touch Option)
RS232	1 (w/ Touch Option)
SPEAKER	
Audio	1W Per Channel
TOUCH	
Touch Type	Resistive
Touch Panel	5-wire Resistive (Option)
Touch Interface	RS-232 or USB B type
POWER	
Input Voltage	DC12V
Consumption	< 5W
Saving Mode	< 0.5W
TEMPERATURE	
Operating	32° F ~ 104° F (0° C ~ 40° C)
Storage	-4° F ~ 140° F (-20° C ~ 60° C)
Humidity	10% ~ 80%
DIMENSIONS (WxHxD)	
Inch (in)	15.4 x 15.1 x 7
Millimeter (mm)	392 x 381.5 x 180
WEIGHT	
Net Weight	9.9 lbs (4.5 kg)
VESA™	
Mount Size (mm)	75 x 75

Specifications subject to change without any notice