

19" Wide Desktop PCAP Touchscreen Monitor



FEATURES

- 18.5-Inch Screen Size
- 1366 x 768 (Support Up To 1080p) Resolution
- Interface: HDMI / VGA / DVI / USB Type-B
- 10-Point PCAP Projected Capacitive Touch
- Zero Pressure Touch Activation
- Zero Bezel Touchscreen
- IP65 on the Front (Option)
- 3-Year Warranty

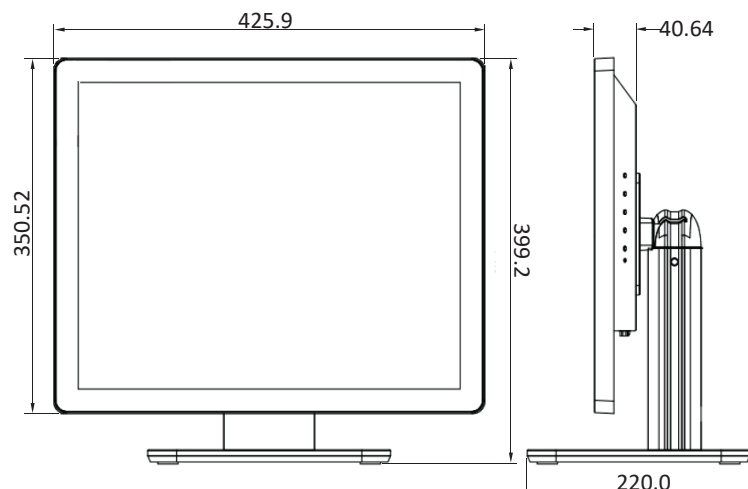
D19ZH-AV-K5P0

SPECIFICATIONS	
Size	19 In
Resolution	1280 x 1024
Display Area (mm)	376.32 (H) x 301.06 (V)
Aspect Ratio	5 : 4
Response Time	5ms
Viewing Angle	170° / 160°
Brightness	250cd/m ²
Contrast Ratio	1000 : 1
Color	16.7 M
Backlight	LED
Interface	HDMI x1, DVI x1, VGA x1, USB-B x1
Speaker	Option
Touch Type	Projected Capacitive PCAP
Touch Point	10-Point
Touch Interface	USB Type-B
Support OS	Windows / Linux
IP Rating	IP65 (Option)
Cabinet Material	Plastic Frame / Metal Housing
Cabinet Color	Silver Frame / Black Housing
Power Consumption	20W
Electrical Rating	12V DC/5% (AC 100V ~ 240V, 50/60Hz)
Operating Temp.	32° F ~ 104° F (0° C ~ 40° C)
Storage Temp.	-4° F ~ 140° F (-20° C ~ 60° C)
Humidity	10% ~ 80%
Dimensions (In/mm)	16.7 x 15.7 x 8.6 / 425.9 x 399.2 x 220.0
Net Weight	15.8 lbs (7.2 kg)
Certification	CE / FCC
VESA™	100 x 100

***Specifications may change without any notice*

DIMENSIONS

UNIT:MM



30398 Esperanza,
Rancho Santa Margarita, CA 92688

888-651-9688 / 949-586-3338

sales@gvision-usa.com
<https://www.gvision-usa.com>

