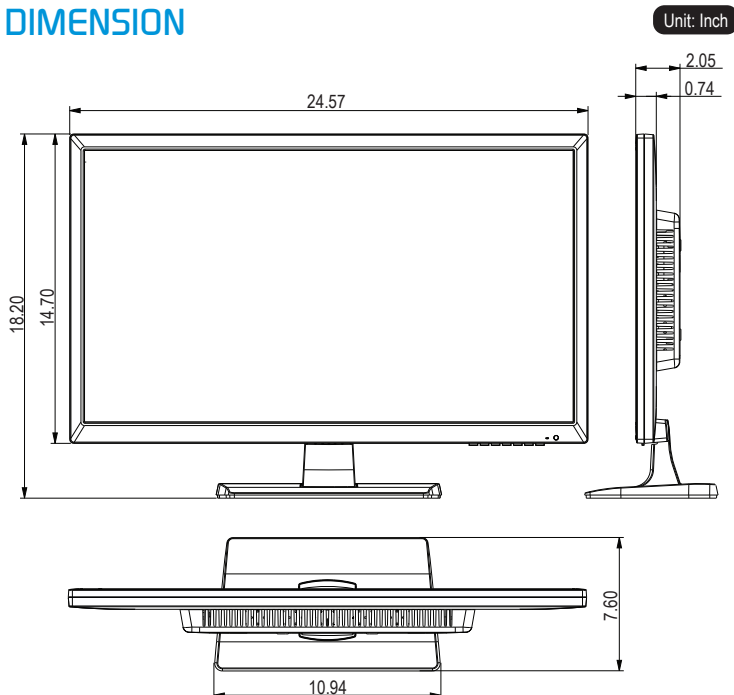


# C27BD-AU-4000

GVision's CCTV security monitors are design for 24 / 7 / 365 operating. It support HDMI, VGA, BNC CVBS and BNC AHD/TFI/TVI looping inputs. C27BD security CCTV monitor is featured Anti-Pixel burn technology and superior quality V56 chipset.

## DIMENSION



## FEATURES

- 27-Inch Screen Size / 1920 x 1080 FHD Resolution
- Video Inputs: **HDMI / VGA / BNC CVBS**
- **BNC AHD / TFI / CVI** looping inputs
- Supports **Up To 5MP AHD, 4MP TVI / 3MP CVI** input
- **Anti Pixel Burn** Technology
- Fully **HDMI** Compliant
- **LED** Backlight Unit
- **24/7/365** Operation Commercial CCTV Monitor
- **3-Year** Warranty

## SPECIFICATIONS

DISPLAY	C27BD-AU-4000
Screen Size	27 In
Resolution	1920 x 1080
Backlight	LED
Aspect Ratio	16 : 9
Viewing Angle	178° / 178°
Response Time	5ms
Brightness	250cd/m <sup>2</sup>
Contrast Ratio	1000 : 1
Color Depth	16.7M
INTERFACE	
<b>CVBS BNC In</b>	<b>4in1x1 (HD-TVI/HD-CVI/AHD 2.0)</b>
<b>CVBS BNC Out</b>	<b>4in1x1 (HD-TVI/HD-CVI/AHD 2.0)</b>
CVBS BNC In	1
CVBS BNC Out	1
HDMI In	1
VGA In	1
PC Audio In / Out	1
USB (Firmware)	1
AUDIO	
Speaker	3W x 2
FEATURES	
Filter	2D / 3D combo
System	PAL / NTSC / SECAM
Anti Picture Burn-in	Yes
Remote Control	Yes
CABINET	
Color	Black
POWER	
Consumption	< 32W
Electrical Ratings	12V DC / 4A (AC 100V ~ 240V, 50/60Hz)
TEMPERATURE	
Storage	-22° F ~ 158° F (-30° C ~ 70° C)
Operating	-4° F ~ 122° F (-20° C ~ 50° C)
DIMENSIONS (WxHxD)	
Inch (in)	24.57 x 18.20 x 7.60
Millimeter (mm)	624.1 x 462.5 x 193.1
WEIGHT	
Net Weight	TBD
VESA™	
Mount Size (mm)	100 x 100

*Specifications subject to change without any notice*