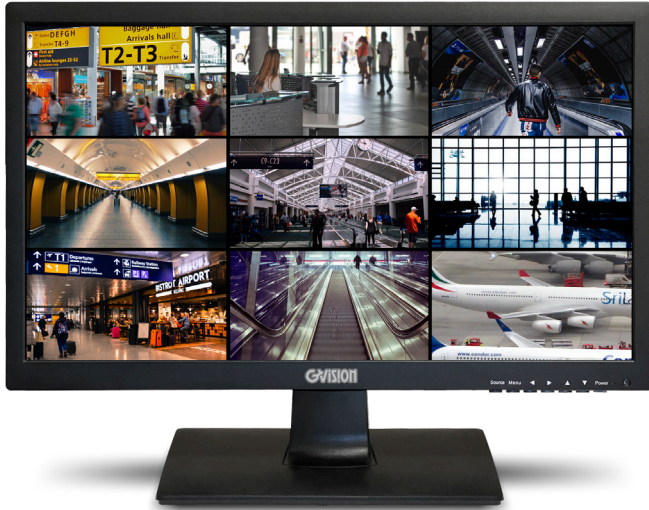


21.5" 1080p Full HD Security CCTV Monitor



FEATURES

- 21.5-Inch Screen Size / 1920 x 1080 FHD Resolution
- Interface: HDMI/ VGA/ BNC CVBS In & Out/ PC Audio
- 3D Comb Filter / Noise Reduction / Anti Pixel Burn
- BNC CVBS Looping Inputs
- 250 nits High Brightness
- 24/7 Operation Commercial CCTV Monitor
- LED Backlight Unit Monitor
- 3-Year Warranty

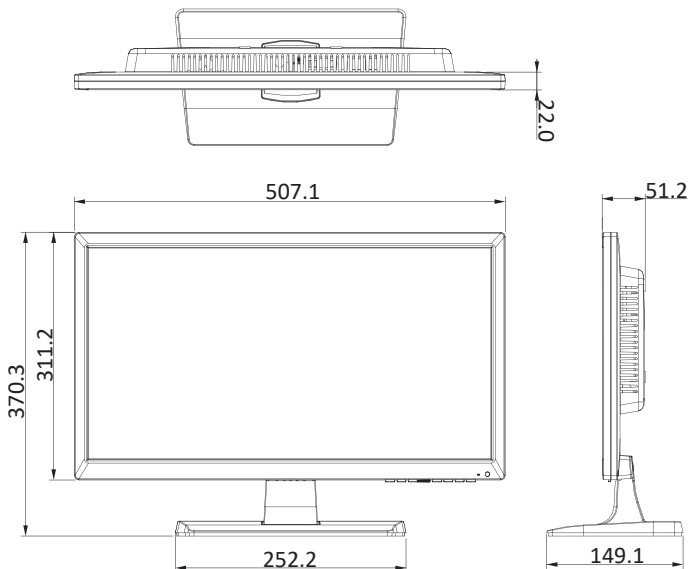
C22BD-A6-4000

SPECIFICATIONS	
Size	21.5 In
Resolution	1920 x 1080
Aspect Ratio	16 : 9
Response Time	5ms (G2G)
Viewing Angle	178° / 178°
Brightness	250cd/m ²
Contrast Ratio	1000 : 1 Static CR
Color	8 Bit – 16.7 Million Colours
Backlight	LED
Interface	CVBS BNC In x1, CVBS BNC Out x1, HDMI x1, VGA x1, PC Audio x1
Speaker	3W x 2
3D Combo Filter	Yes
Noise Reduction	Yes
Anti Picture Burn-in	Yes
Remote Control	Yes
Cabinet Material	Plastic
Cabinet Color	Black
Power Consumption	< 20W
Electrical Rating	12V DC / 3A (AC 100V ~ 240V, 50/60Hz)
Operating Temp.	-4° F ~ 122° F (-20° C ~ 50° C)
Storage Temp.	-22° F ~ 158° F (-30° C ~ 70° C)
Humidity	10 ~ 85%
Dimensions (In/mm)	19.96 x 14.57 x 5.87 / 507.1 x 370.3 x 149.1
Net Weight	8.81 lbs (4.0 Kg)
Certification	CE / FCC
VESA™	100 x 100
Accessories	Remote control, signal cable, user's manual, Power adaptor

**Specifications may change without any notice

DIMENSIONS

UNIT:MM



30398 Esperanza,
Rancho Santa Margarita, CA 92688

888-651-9688 / 949-586-3338

sales@gvision-usa.com
<https://www.gvision-usa.com>

