

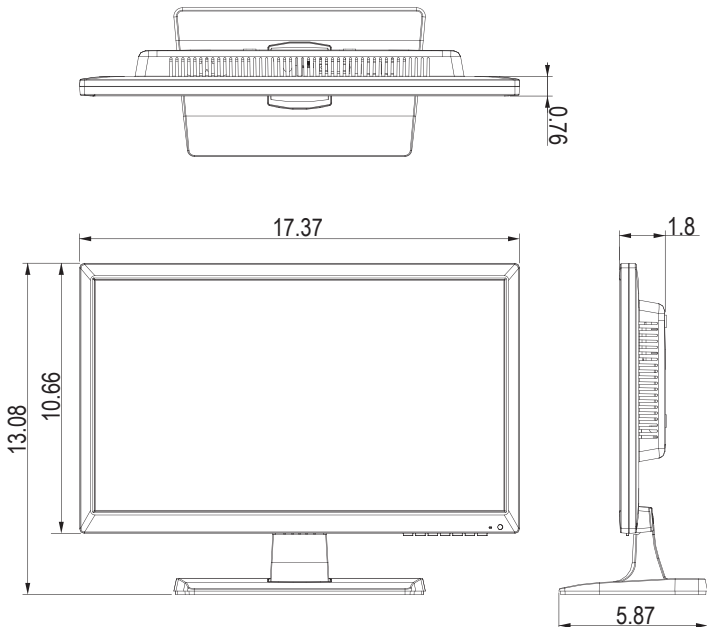


## C19BD-A6-4000

Gvision's CCTV security monitors are design for 24 / 7 / 365 operating. It support HDMI, VGA, BNC CVBS. C19BD security CCTV monitor is featured Anti-Pixel burn technology and display superior quality of picture on the screen.

### DIMENSION

Unit: Inch



### FEATURES

- 18.5-Inch Screen Size
- 1366 x 768 HD Resolution
- I/O Ports: HDMI / VGA / BNC CVBS In&Out / Audio In
- 3D Comb Filter / Noise Reduction / Anti Pixel Burn
- BNC CVBS **Looping** Inputs
- LED Backlight Unit
- 24/7 Operation Commercial CCTV Monitor
- 3-Year Warranty

### SPECIFICATIONS

DISPLAY	C19BD-A6-4000
Screen Size	18.5 In
Resolution	1366 x 768
Backlight	LED
Aspect Ratio	16 : 9
Viewing Angle	178° / 178°
Response Time	14ms (G2G)
Brightness	250cd/m <sup>2</sup>
Contrast Ratio	1000:1
Color Depth	16.7M
INTERFACE	
CVBS BNC In / Out	1 / 1
HDMI In	1
VGA In	1
Audio In	1
AUDIO	
Speaker	3W x 2
FEATURES	
Filter	3D combo filter
Noise Reduction	Yes
Anti Picture Burn-in	Yes
Remote Control	Yes
CABINET	
Color	Black
POWER	
Consumption	< 21W
Electrical Ratings	12V DC / 3A (AC 100V ~ 240V, 50/60Hz)
TEMPERATURE	
Storage	-22° F ~ 158° F (-30° C ~ 70° C)
Operating	-4° F ~ 122° F (-20° C ~ 50° C)
DIMENSIONS (WxHxD)	
Inch w/ Stand (in)	17.37 x 13.08 x 5.87
Millimeter w/ Stand (mm)	441.4 x 332.3 x 149.1
WEIGHT	
Net Weight	7.05 lbs (3.2 Kg)
VESA™	
Mount Size (mm)	100 x 100
ACCESSORY	
Accessories	Remote control, signal cable, user's manual, Power adaptor

*Specifications subject to change without any notice*