



[WWW.GVISION-USA.COM](http://WWW.GVISION-USA.COM)

# **C32BD/C43BD-A6-4000**

# **USER'S MANUAL**

## **SECURITY CCTV MONITOR**

**GVISION USA, INC**

30398 Esperanza, Rancho Santa Margarita CA 92688 / 949.586.3338 / [info@gvision-usa.com](mailto:info@gvision-usa.com)

## Important Information



### WARNING



TO PREVENT FIRE OR SHOCK HAZARDS, DO NOT EXPOSE THIS UNIT TO RAIN OR MOISTURE. ALSO, DO NOT USE THIS UNIT'S POLARIZED PLUG WITH AN EXTENSION CORD RECEPTACLE OR OTHER OUTLETS UNLESS THE PRONGS CAN BE FULLY INSERTED.

REFRAIN FROM OPENING THE CABINET AS THERE ARE HIGH VOLTAGE COMPONENTS INSIDE. REFER SERVICING TO QUALIFIED SERVICE PERSONNEL.



### CAUTION



TO REDUCE THE RISK OF ELECTRIC SHOCK, MAKE SURE POWER CORD IS UNPLUGGED FROM WALL SOCKET. TO FULLY DISENGAGE THE POWER TO THE UNIT, PLEASE DISCONNECT THE POWER CORD FROM THE AC OUTLET. DO NOT REMOVE COVER (OR BACK). NO USER SERVICEABLE PARTS INSIDE. REFER SERVICING TO QUALIFIED SERVICE PERSONNEL.



This symbol warns user that uninsulated voltage within the unit may have sufficient magnitude to cause electric shock. Therefore, it is dangerous to make any kind of contact with any part inside this unit.



This symbol alerts the user that important literature concerning the operation and maintenance of this unit has been included. Therefore, it should be read carefully in order to avoid any problems.

**CAUTION:** Please use the power cord provided with this display in accordance with the table below. If a power cord is not supplied with this equipment, please contact GVISION. For all other cases, please use the power cord with the plug style that matches the power socket where the monitor is located. The compatible power cord corresponds to the AC voltage of the power outlet and has been approved by, and complies with, the safety standards in the country of purchase.

*\*When operating this monitor with its AC 125-240V power supply, use a power supply cord that matches the power supply voltage of the AC power outlet being used.*

## Care and Cleaning

- Always unplug your monitor from the wall outlet before cleaning. Clean the LCD monitor surface with a lint-free, non-abrasive cloth. Avoid using any liquid, aerosol or glass cleaners.
- Slots and openings on the back or top of the cabinet are for ventilation. They must not be blocked or covered. Your monitor should never be placed near or over a radiator or heat source, or in a built-in installation unless proper ventilation is provided.
- Never push objects or spill liquid of any kind into this product.

## Safety Precautions / Maintenance

- Do not use this apparatus near water.
- Clean only with dry cloth.
- Do not block any ventilation openings. Install in accordance with the manufacturer's instructions.
- Do not install near any heat sources such as radiators, heat registers, stoves, or other apparatus (including amplifiers) that produce heat.
- Do not defeat the safety purpose of the polarized or grounding-type plug. A polarized plug has two blades with one wider than the other. A grounding type plug has two blades and a third grounding prong. The wide blade or the third prong are provided for your safety. If the provided plug does not fit into your outlet, consult an electrician for replacement of the obsolete outlet.
- Protect the power cord from being walked on or pinched particularly at plugs, convenience receptacles, and the point where they exit from the apparatus.
- Only use attachments/accessories specified by the manufacturer.
- Use only with the cart, stand, tripod, bracket, or table specified by the manufacturer, or sold with the apparatus. When a cart is used, use caution when moving the monitor combination to avoid injury from tip-over.
- Unplug the monitor during lightning storms or when unused for long periods of time.
- Refer all servicing to qualified service personnel. Servicing is required when the apparatus has been damaged in any way, such as power-supply cord or plug is damaged, liquid has been spilled or objects have fallen into the apparatus, the monitor has been exposed to rain or moisture, does not operate normally, or has been dropped.
- Do not press strongly upon the panel with a hand or a sharp object such as a nail, pencil, or pen, or make a scratch on it.
- Do not stick metal objects or any other conductive material into the power cord. Do not touch the end of the power cord while it is plugged in.
- Keep the packing anti-moisture material or vinyl packing out of the reach of children. Anti-moisture material is harmful if swallowed. If swallowed, induce vomiting and go to the nearest hospital. Additionally, vinyl packing can cause suffocation. Keep it out of the reach of children.
- Concerning the Power Cord (Can differ by country): Check the specification page of this owner's manual to be certain concerning current requirements. Do not connect too many devices to the same AC power outlet as this could result in fire or electric shock. Do not overload wall outlets. Overloaded wall outlets, loose or damaged wall outlets, extension cords, frayed power cords, or damaged or cracked wire insulation are dangerous. Any of these conditions could result in electric shock or fire. Periodically examine the cord of your device, and if its appearance indicates damage or deterioration, unplug it, discontinue use of the device, and have the cord replaced with an exact replacement part by an authorized servicer. Protect the power cord from physical or mechanical abuse, such as being twisted, kinked, pinched, closed in a door, or walked upon. Pay particular attention to plugs, wall outlets, and the point where the cord exits the device. Do not move the monitor with the power cord plugged in. Do not use a damaged or loose power cord. Be sure do grasp the plug when unplugging the power cord. Do not pull on the power cord to unplug the monitor.
- To reduce the risk of fire or electrical shock, do not expose this product to rain, moisture or other liquids. Do not touch the screen with wet hands. Do not install this product near flammable objects such as gasoline or candles, or expose the TV to direct air conditioning.
- Do not use high voltage electrical equipment near the TV (e.g., a bug zapper). This may result in product malfunction.
- Do not expose to dripping or splashing and do not place objects filled with liquids, such as vases, cups, etc. on or over the apparatus (e.g., on shelves above the unit).
- Do not attempt to modify this product in any way without written authorization from GVISION. Unauthorized modification could void the user's authority to operate this product.
- **Moving:** Make sure the product is turned off, unplugged, and all cables have been removed. Do not press or put stress on the front panel of the monitor screen.
- If you smell smoke or other odors coming from the monitor screen, unplug the power cord and contact an authorized service center.
- If water or another substance enters the product (like an AC adapter, power cord, or display unit), disconnect the power cord and contact the service center immediately. Otherwise, this may result in fire or electric shock.

# Table of Contents

<b>1. Controllers &amp; Settings.....</b>	<b>5</b>
<b>1.1 Monitor Interface.....</b>	<b>5</b>
<b>1.2 Monitor Controller Button.....</b>	<b>6</b>
<b>1.3 Remote Control.....</b>	<b>7</b>
<b>1.4 OSD Menu.....</b>	<b>8</b>
<b>1.4.1 Picture.....</b>	<b>8</b>
<b>1.4.2 PC.....</b>	<b>10</b>
<b>1.4.3 Sound.....</b>	<b>11</b>
<b>1.4.4 Setting.....</b>	<b>12</b>
<b>2. Specifications.....</b>	<b>13</b>
<b>3. Dimensions.....</b>	<b>14</b>

# 1 Controllers & Settings

GVision's commercial grade security CCTV monitors built to operate 24/7. It supports a digital HDMI input source with superior image quality 1080p and BNC input/output for the security camera.

## 1.1 Monitor Interface

C32BD-A6-4000



C43BD-A6-4000



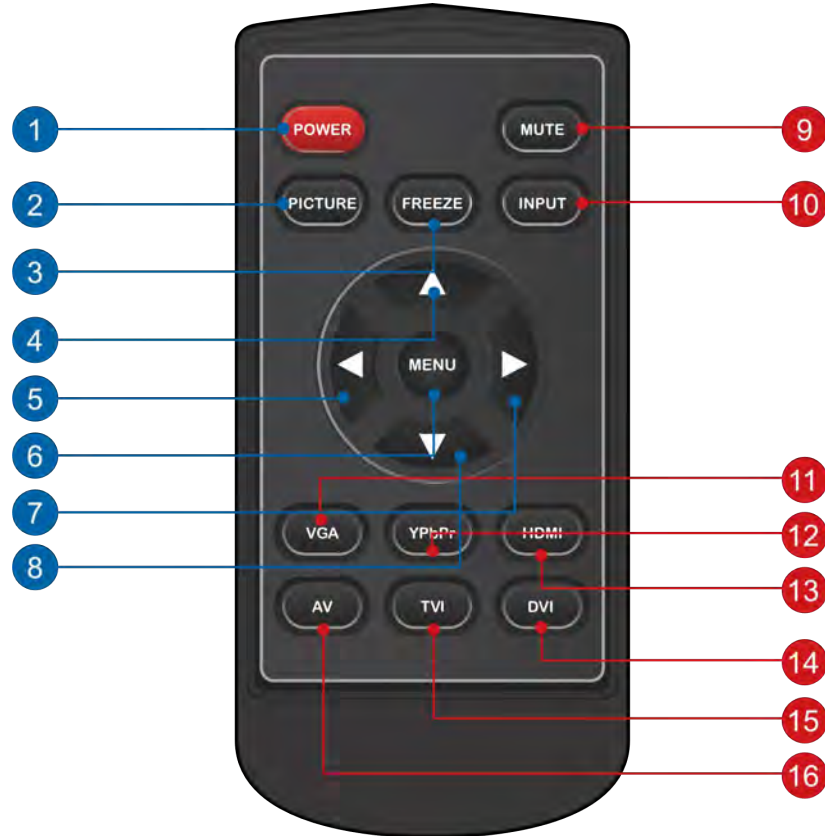
INTERFACES INSTRUCTION		
1	HDMI	HDMI Digital Input Source
2	VGA	VGA Analog Input Source
3	BNC IN/OUT	BNC CVBS Input and Output Source
4	Audio IN/OUT	AUDIO Input and Output Source
5	USB	USB Input Source
6	RS232	RS232 Input Source for Firmware Upgrade

## 1.2 Monitor Controller Button



1	SOURCE	Select an input source
2	MENU	Enter the menu, save the adjustment of sub-menu and exit the OSD
3	LEFT/RIGHT	Change the value on selected menu
4	UP/DOWN	Switch a menu on OSD
5	POWER	Monitor Power On / Off

### 1.3 Remote Control



1	Power	9	Mute
2	Picture - Select Picture Mode	10	Input
3	Freeze - Freeze the Display Image	11	VGA Input Select
4	Up	12	YPbPr Input Select - N/A
5	Left	13	HDMI Input Select
6	Menu	14	AV Input Select - CVBS
7	Right	15	TVI Input Select - N/A
8	Down	16	DVI Input Select - N/A

## 1.4 OSD Menu

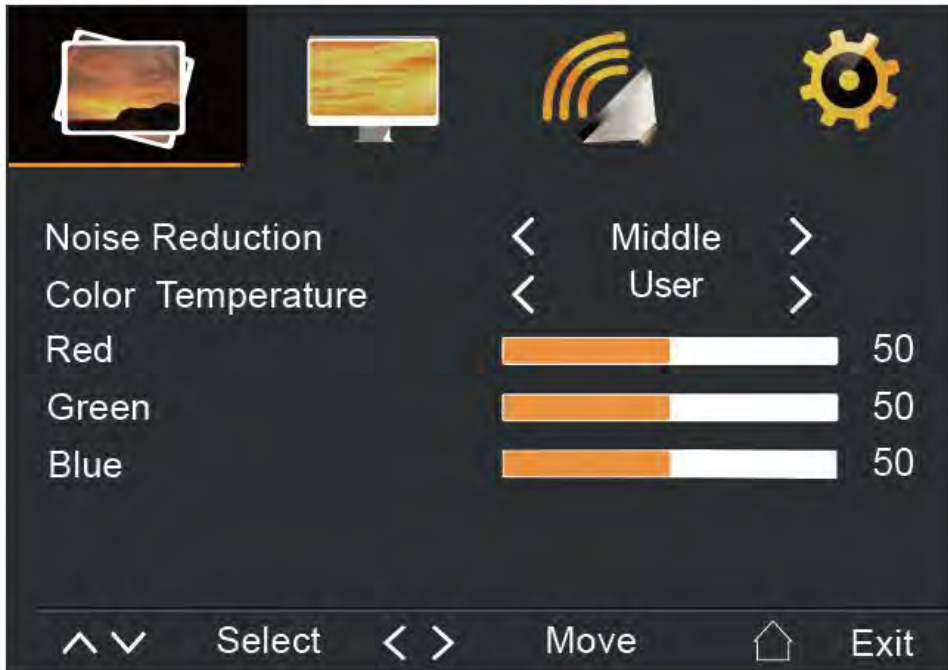
### 1.4.1 Picture

Select Picture from the menu.



<b>Picture Mode</b>	Choose for User/ Dynamic/ Standard/ Mild for most pleasing image based on ambient light.
<b>Contrast</b>	Adjusts the range of difference between light and dark areas of the picture.
<b>Brightness</b>	Adjusts the overall picture brightness.
<b>Color</b>	Adjust the color saturation 0-100.
<b>Tint</b>	Increase or decrease the intensity of colors in the image.
<b>Sharpness</b>	Change the balance between image detail (Resolution) and degree of transition between areas of differing brightness.
<b>Aspect Ratio</b>	Choose between SD 4:3 and HD 16:9 aspect ratio. If analog images appear stretched use 4:3 scaling.





<b>Noise Reduction</b>	Reduce noise of the display image (LOW/MIDDLE/HIGH/ OFF).
<b>Color Temperature</b>	Adjust color reproduction: choose between Warm/ User/ Cool/ Medium. In the “USER”, setting you have full control to alter the individual settings “Red:0-100, Green: 0-100, and Blue:0-100.

### 1.4.2 PC (Only available with VGA input)

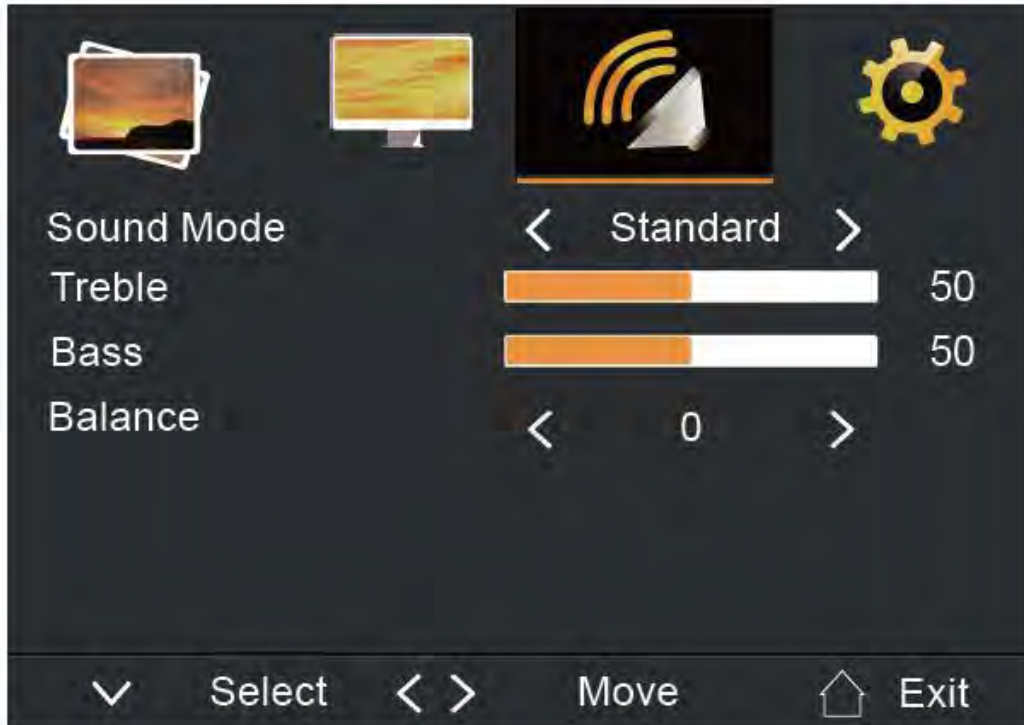
Select PC from the menu.



<b>Auto Adjust</b>	Fit the image setting automatically.
<b>H-Position</b>	Adjust the H-Position position of picture.value:0~100.
<b>V-Position</b>	Adjust the V-Position position of picture.value:0~100.
<b>Clock</b>	Adjust the Clock of picture.value:0~100.
<b>Phase</b>	Adjust the Phase of picture.value:0~100.

### 1.4.3 Sound

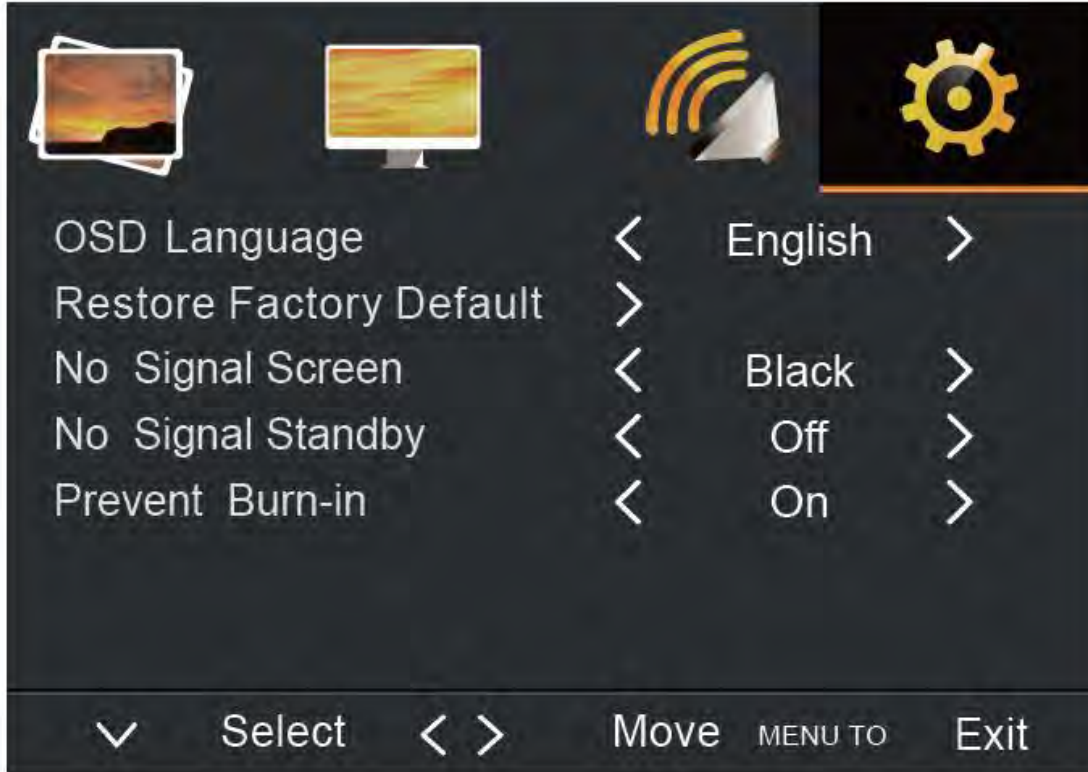
Select Sound from the menu.



<b>Sound Mode</b>	Select one of the presets (User, Sport, Movie, Music, Standard).
<b>Treble</b>	Adjust the Treble of picture.value:0~100.
<b>Bass</b>	Adjust the Bass of picture.value:0~100.
<b>Balance</b>	Adjust the Balance of picture. Value: -50 ~ +50.

### 1.4.4 Setting

Select Setting from the menu.



<b>OSD Language</b>	Choose OSD display language from English/French/Spanish Italian/ Netherlands/ Polish/ Czech/ Danish by pressing Left/Right buttons.
<b>Restore Factory Default</b>	Reset the monitor settings to the factory default by pressing Left/Right buttons.
<b>No Signal Screen</b>	Allows the user to select Black or Blue for the screen when no signal is detected by pressing Left/Right buttons.
<b>No Signal Standby</b>	Allows the user to select ON/OFF the standby model.
<b>Prevent Burn-in</b>	Allows the user to select the prevent Burn In model.

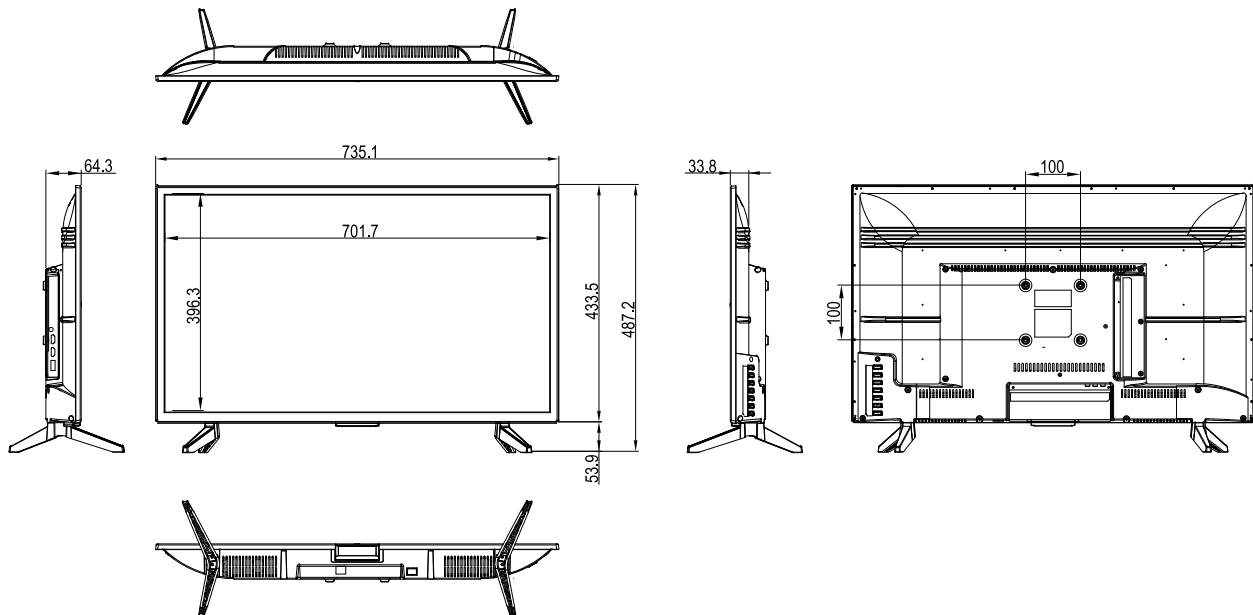
## 2 Specifications

MODEL	C32BD-A6-4000	C43BD-A6-4000
Resolution	1920 x 1080	
Refresh	60Hz	
Brightness (MAX)	260cd/m <sup>2</sup>	
Response Time (Typical)	5ms	
Aspect Ratio	16:9	
Viewing Angle	178°(H)/178°(V)	
Display Color	16.7M (8-bit)	
<b>INTERFACE</b>		
HDMI	1	
VGA	1	
BNC	1	
Audio	1	
USB	1	
RS232	0	1
<b>AUDIO</b>		
Speaker	5Wx2	
<b>CABINET</b>		
Color/Material	Black/Plastic	
<b>POWER</b>		
Consumption	Typical 50W	Typical 65W
Electrical Rating	AC 100~240V 50/60Hz	
<b>TEMPERATURE</b>		
Operating	0~50°C	
<b>VESA™</b>		
Mount Size	100x100mm	200x100mm

*Specifications subject to change without any notice*

# 3 Dimensions

C32BD-A6-4000



C43BD-A6-4000

