

17" TFT LCD Monitor Industrial Application



Where Versatility Meets Flexibility

K17BH-FA

Configuration

K17BH-FA

LCD Display	17" TFT active matrix panel
Pixel Pitch	0.264(H) x 0.264 (V) mm
Max. Resolution	SXGA 1280 x 1024
Contrast Ratio	450:1 (typical)
Brightness	250 Cd/m ² (typical)
Response Time (Tr+ Tf)	16 ms (typical)
Display Color	16M
Effective Display Area	337.9(H) x 270.3(V)
Viewing Angle (CR ≥ 10)	140(H) x 140(V)
Backlight	CCFL x 4
Lamp Life	40,000(hr)
Input Signals	Analogue VGA
Signal Connector	Analog D-sub 15 pin (VGA) Digital DVI-D (option) Video-in RCA, S-video (option)
Scan Frequency	H. scan 31~80KHz, V. scan 56 ~ 75Hz
Speakers	N/A
USB HUB	A type x 2, B type x 1 (option)
Touch panel	Resistive/Capacitive - RS232 or USB A type (option)
Key Control	Power on/off with LED, Menu, Select, Adjustment (+, -)
Operating Condition	Temperature 0°C-50°C (32°F-122°F) Humidity 20%-80% (no condensation) Altitude To 10,000 feet
Storage Condition	Temperature -20°C-60°C (-4°F-140°F) Humidity 10%-90% (no condensation)
Power	Imbedded AC Input, Universal 100 ~ 240V
Power Consumption	48W
Power Management	VESA DPMS standard
Dimensions (WxHxD)	362 x 340 x 50 mm
Dimensions (Carton 2 in 1)	440 x 458 x 216 mm
Weight (Net)	1.9 Kg
Certification	C-UL, FCC, CE

* Specifications are subject to change without notice.

Features :

- * High contrast color TFT LCD open frame display support resolution up to XGA 1280x1024. Compatible with IBM VGA, VESA standards.
- * Flexible mechanical designs for industrial application.
- * Multi-signals: DVI, VGA, Composite video, s-video * (Auto detection of input signals).
- * Composite video system PAL/NTSC and SECAM compatible.
- * Support DDC1/2B for Plug & Play compatibility.
- * Advanced OSD control for picture quality adjustment.
- * Optional USB HUB with 2 downstream ports and 1 upstream port.
- * Optional touch solutions.
- * Optional multiple mounting.
- * Built - in power.
- * Hot key for AUTO adjustment. Auto power-on function.

Optional Accessories :

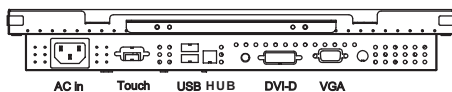
- * 3M 5 Wire resistive touch panel
- * 3M Capacitive touch panel
- * ELO 5 Wire resistive touch panel
- * Anti-Glare tempered glass
- * Customized touch solutions acceptable.
- * USB HUB

Ordering Information :

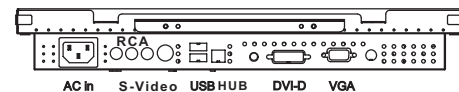
- * K17BH-FA VGA only
- * K17BH-FW VGA + Video-in
- * K17BH-FB VGA + DVI
- * K17BH-FE VGA + DVI + Video-in

Mechanical drawing

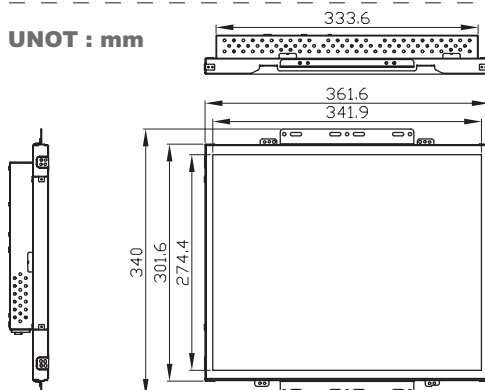
I/O Ports



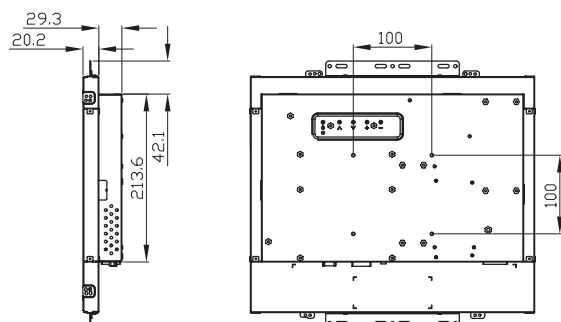
Video I/O Ports



UNOT : mm



Front Side



Back Side