

GVISION's P17BH is a 17" POS solution with a slim bezel design which maximizes screen space yet does not take up additional room. The P17BH provides reliable and durable operation for retail POS and hospitality markets. The P17BH can be easily integrated with a variety of POS or PC systems. It is ideal for demanding usage which requires a highly stable monitor and resilient touchscreen. Touch technology can be customized for your projects.



- Slim bezel
- Durable design
- Customizable touch technology

For more information please contact

1-888-651-9688 | www.GVISION-USA.com

PARAMETER		SPECIFICATION
LCD Display		17" TFT active matrix panel
Pixel Pitch		0.264 (H) x 0.264 (V) mm
Max. Resolution		SXGA 1280 x 1024
Contrast Ratio		1000:1 (Typ.) w/o sensor or glass
Brightness		350 cd/m ² (Typ.) w/o sensor or glass
Response Time (Tr+Tf)		5 ms (Typ.)
Display Color		16.7M
Effective Display Area		337.9 (H) x 270.3 (V) mm
Viewing Angle (CR≥10)		170°(H) x 160°(V) (Typ.) w/o sensor or glass
Lamp Life (hr) / Backlight		50,000 (Typ.) / CCFL 50,000 (Min.) / LED
Stand Base		Tilt down : -5° , Tilt up : +90°
Input Signals		Analog, Digital
Signal Connector	Analog	D-Sub15 pin (VGA)
	Digital	DVI-D
Scan Frequency		60 ~ 75 Hz
Audio System		1W per channel
Touch Panel		5-wire Resistive
Touch Interface		RS-232 or USB A type
Power		Universal 100~240V, 50~60 Hz 1.5A AC input
Operating	Temperature	0°C ~ 40°C (32°F ~ 104°F)
	Humidity	10% ~ 90% (no condensation)
	Altitude	To 10,000 feet
Storage	Temperature	-20°C ~ 60°C (-4°F ~ 140°F)
	Humidity	10% ~ 90% (no condensation)
Dimensions (WxHxD)		392.0 x 381.5 x 180.0 mm
Carton Dimensions (WxHxD)		452.0 x 461.0 x 228.0 mm
Weight (Net)		6.5 kg
Certification (DC-in type)	EMC	CE/FCC
	Safety	UL / c-UL / TUV (AC type) / CB
	Other	RoHS / WEEE
Standard Pallet Loading (by sea)		40 units (1140 [L] x 910 [W] x 1964 [H] mm)
Standard Pallet Loading (by air)		30 units (1140 [L] x 910 [W] x 1503 [H] mm)

FEATURES

- High contrast color TFT LCD display supports resolution up to 1280 x 1024
- Compatible with VGA, IBM and VESA signal standards (resolution/timing auto-detected)
- Supports DDC 1/2B for Plug & Play compatibility
- Advanced OSD control for picture quality adjustment
- Rugged all-metal fully enclosed chassis
- VESA mounting
- RoHS Compliance

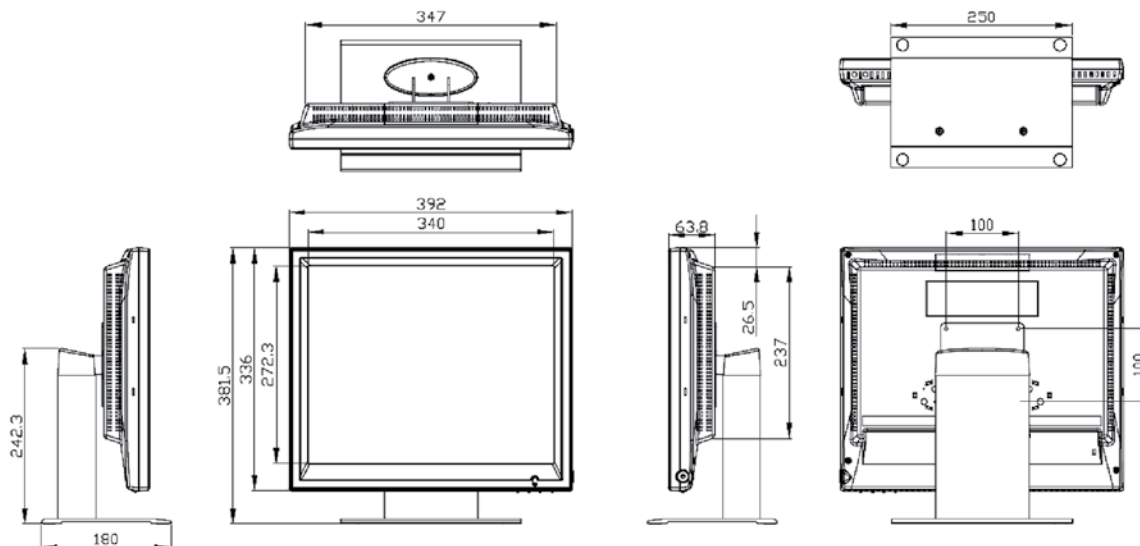
OPTIONS

- Anti-Glare / Anti-Reflective tempered glass
- Sunlight Readable
- IP54 / IP65 waterproof & dustproof sealed front bezel
- Touch sensor technologies: resistive, surface capacitive, projective capacitive, SAW, IR
- Video Signal input
 - Signal Connector: RCA / S-Video
 - NTSC / PAL / SECAM video

* Specifications are subject to change without notice.

MECHANICAL DRAWING

Unit : mm



GVISION Inc. USA
20532 Crescent Bay Drive, Suite 104
Lake Forest, CA 92630

